

## ELECTRONIC QUICK GUIDE

**CAUTION !**

### PLEASE READ THIS BEFORE START

This product IS NOT A TOY. NOT SUITABLE FOR PEOPLE UNDER 16.

This is a hobby product and some experience is required.

If you have any doubts or questions, please contact with our team: [info@magomhrc.com](mailto:info@magomhrc.com)



### ELECTRONIC SCHEMA

Brushless pump



Both Brushless (for pump motor) and Brushed (for transmission motor) speed controllers take the power from the main battery.

To Receiver

Brushless  
Speed controller

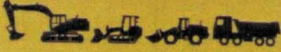
To Receiver

Brushed  
Speed controllerTransmission  
motor

Main battery.

We recommend to use a 11.1V  
4000 mah Lipo battery





## HYDRAULIC QUICK GUIDE

**CAUTION !**

### PLEASE READ THIS BEFORE START

This product IS NOT A TOY. NOT SUITABLE FOR PEOPLE UNDER 16.

This is a hobby product and some experience is required.

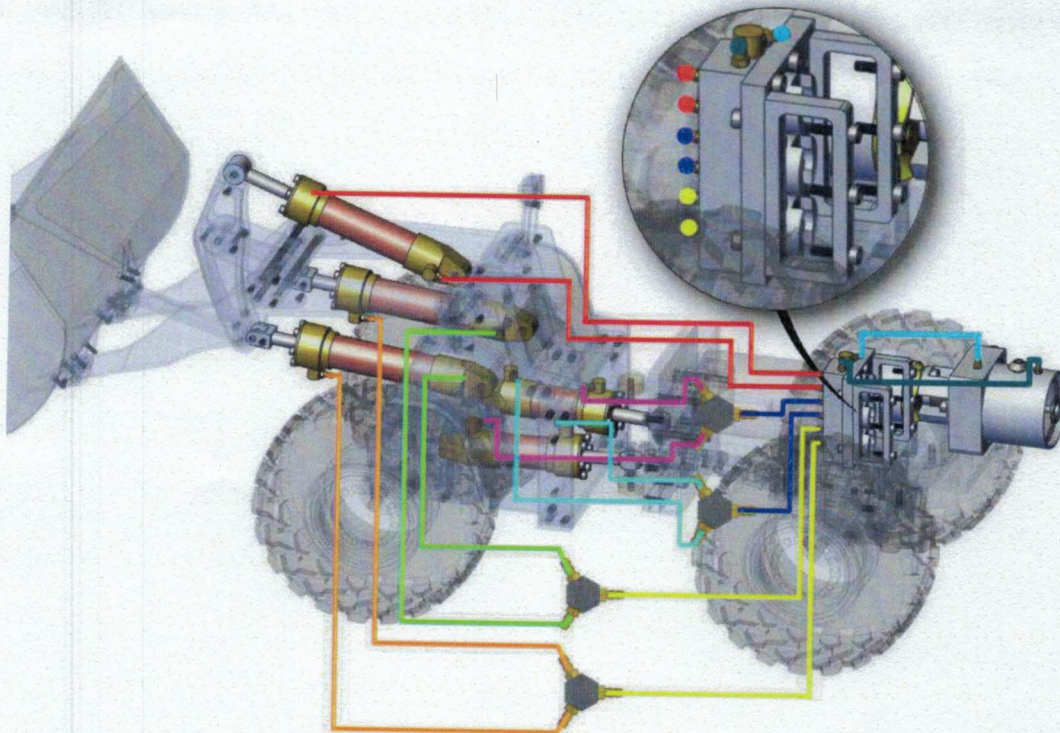
If you have any doubts or questions, please contact with our team: [info@magomhrc.com](mailto:info@magomhrc.com)



### HYDRAULIC SCHEMA

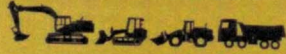
Connect the hose as shown in the picture.

Between valve and pump pressure connector is recommended using a spring to prevent hose explosion.



Please note that this product is not a toy and not suitable for youngsters under the age of 16. Technical details may be subject to changes and modifications. All images and designs are property of MAGOM HRC. For any doubts or questions, please contact us through [www.magomhrc.com](http://www.magomhrc.com).





# HYDRAULIC KIT FOR L574 – METAL

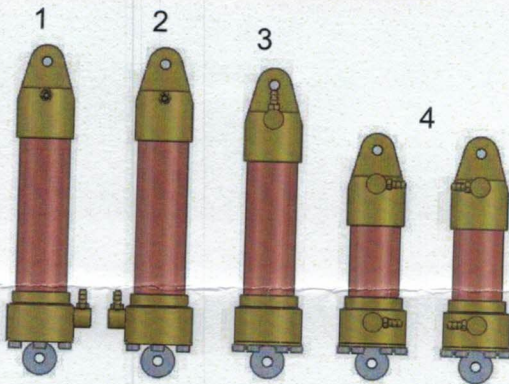
## INSTRUCTIONS

- Use MAGOM HRC hydraulic oil (MG-50ACC-OIL).
- Do not fill the tank completely once the cylinders have been filled.
- Use our recommended brushless ESC and motor.

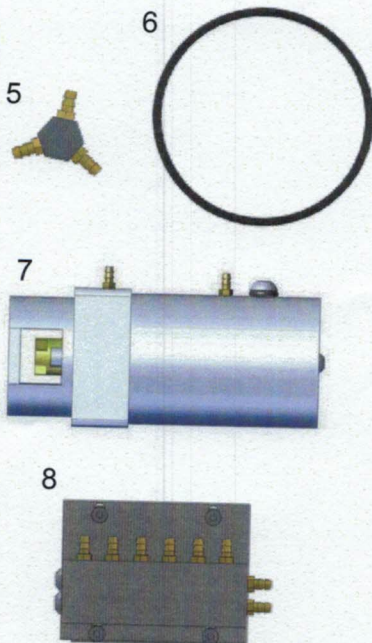
## REQUIRED:

- 3x Micro-servos (MG-6003-HXT900).
- Brushless ESC (MG-6005-BL30A).
- Motor for pump (MG-6004-BLT1000KV).

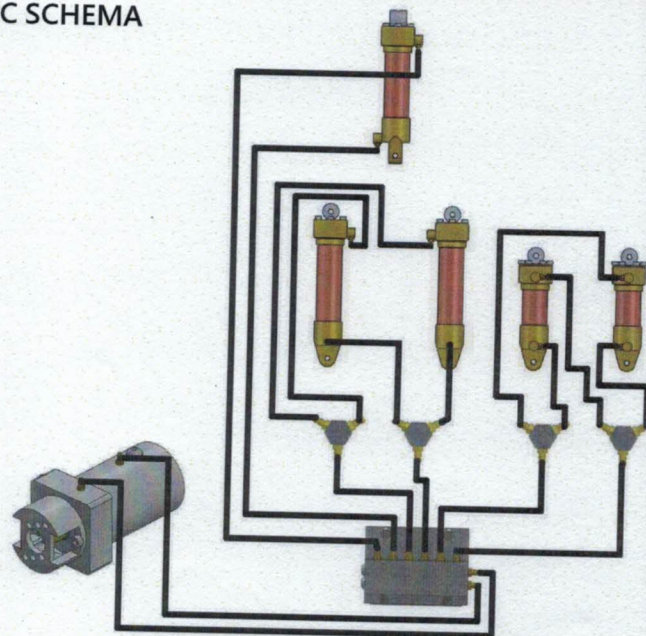
## KIT CONTENTS AND HYDRAULIC SCHEMA



| PART | REF  | QTY    |
|------|--|--------|
| 1    | MG-5020-B18 (TYPE 4)<br>$L_{MIN} = 83.5mm - L_{MAX} = 104.5mm$ | 1      |
| 2    | MG-5020-B15 (TYPE 3)<br>$L_{MIN} = 90mm - L_{MAX} = 138mm$     | 1      |
| 3    | MG-5020-B15 (TYPE 2)<br>$L_{MIN} = 190mm - L_{MAX} = 138mm$    | 1      |
| 4    | MG-5020-B15 (TYPE 1)<br>$L_{MIN} = 65mm - L_{MAX} = 95mm$      | 2      |
| 5    | MG-503MM-UYM3  | 4      |
| 6    | MG-503MM-TUB   | 3m     |
| 7    | MG-5030-BLC  | 1      |
| 8    | MG-5040-3VM3   | 1      |
| 9    | MG-50ACC-OIL   | 250 ml |

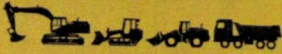


## HYDRAULIC SCHEMA



Please note that this product is not a toy and not suitable for youngsters under the age of 16. Technical details may be subject to changes and modifications. All images and designs are property of MAGOM HRC. For any doubts or questions, please contact us through [www.magomhrc.com](http://www.magomhrc.com).









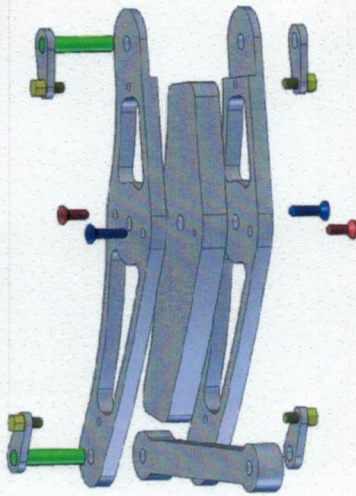
# METAL ARM FOR LIEBHERR 574



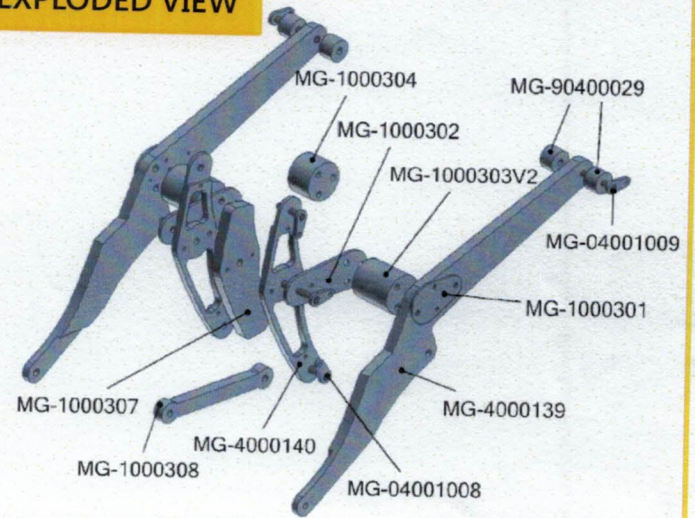
## ASSEMBLY

### STEP 1




-  M2x4 (x4)
-  M2x4 (x2)
-  M2x6 (x2)
-  3x16 (x2)

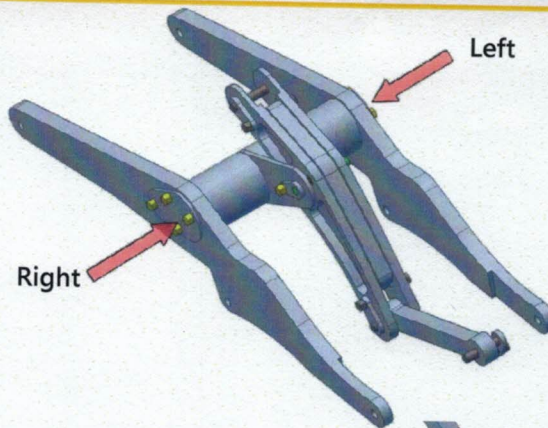


### EXPLODED VIEW

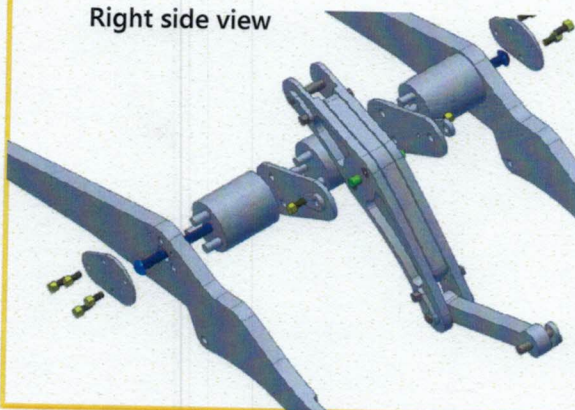


### STEP 2

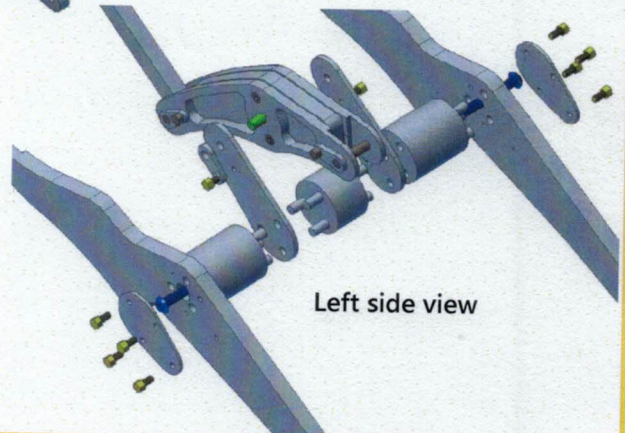
-  M2x4 (x10)
-  M3x35 (x2)
-  3x20 (x1)



Right side view

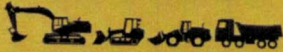


Left side view



Please note that this product is not a toy and not suitable for youngsters under the age of 16. Technical details may be subject to changes and modifications. All images and designs are property of MAGOM HRC. For any doubts or questions, please contact us through [www.magomhrc.com](http://www.magomhrc.com).



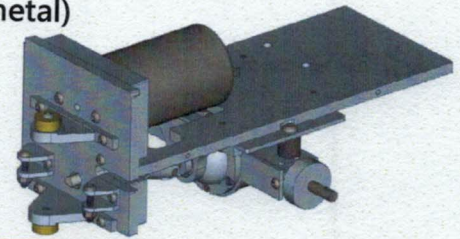


# REAR BOTTOM FOR LIEBHERR 574 (metal)

## SPECS

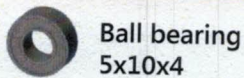
Rear bottom part used in our full metal L574.

\*Z : NUMBER OF TEETH

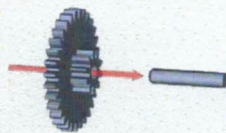


## ASSEMBLY

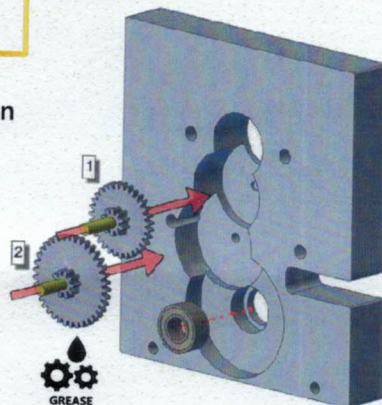
### STEP 1



Insertion direction.



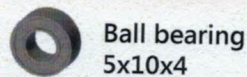
Use grease between gears.



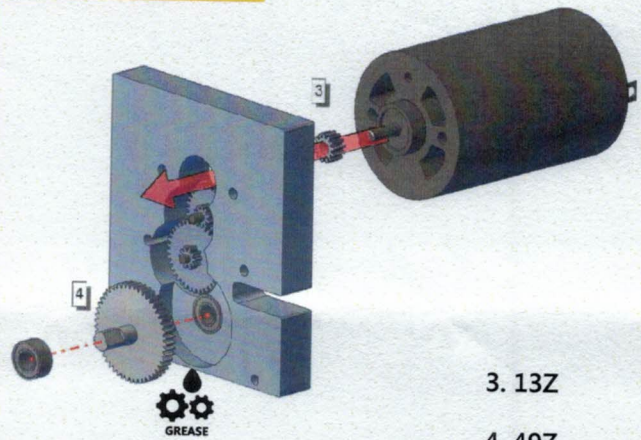
1. 31Z/10Z

2. 37Z/10Z

### STEP 2



Use grease between gears.



3. 13Z

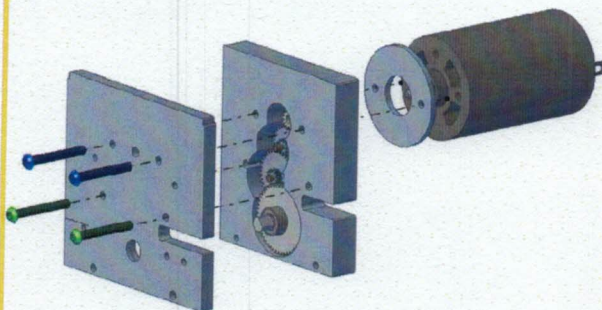
4. 49Z

### STEP 3

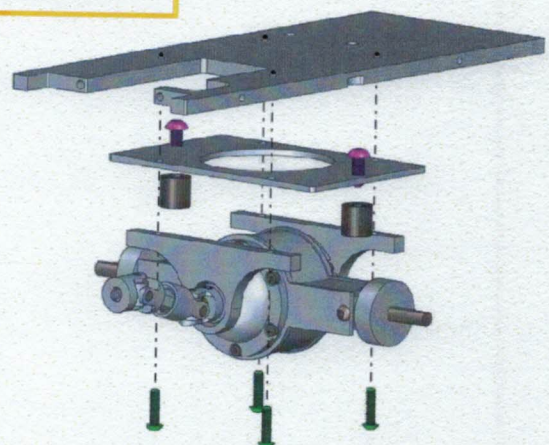
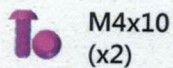
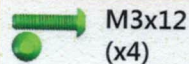


Close the geared box through the blue screws.

Use the green screws to attach the geared box to the base.

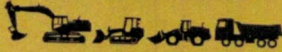


### STEP 4



Please note that this product is not a toy and not suitable for youngsters under the age of 16. Technical details may be subject to changes and modifications. All images and designs are property of MAGOM HRC. For any doubts or questions, please contact us through [www.magomhrc.com](http://www.magomhrc.com).


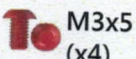
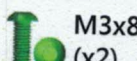

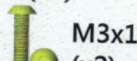


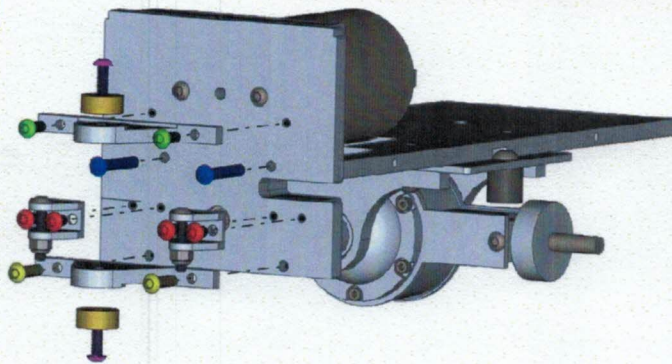


# REAR BOTTOM FOR LIEBHERR 574 (metal)

## ASSEMBLY

### STEP 5

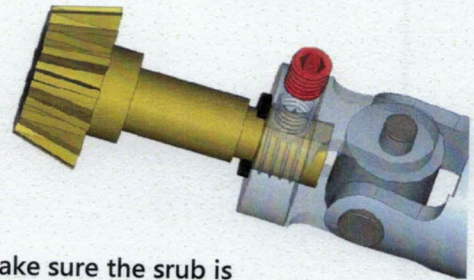
-  M3x20 (x2)
-  M3x5 (x4)
-  M3x8 (x2)
-  M3x10 (x2)
-  M3x12 (x2)



### STEP 6

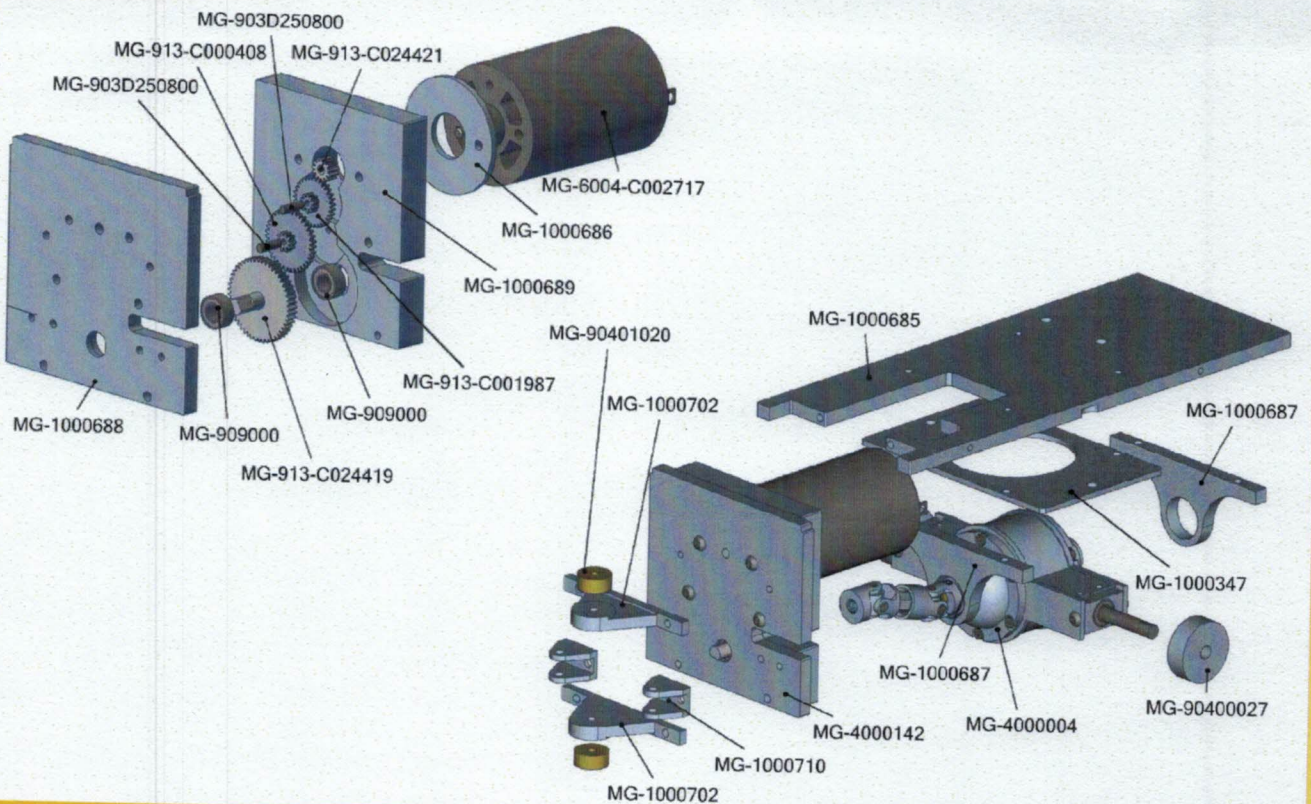
-  M3x3 (x2)

Attach both ends of the cardan, one to the rear diff gear and the other to the geared box gear.



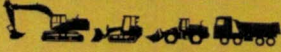
Make sure the scrub is placed on the flat face of the gear.

### EXPLODED VIEW



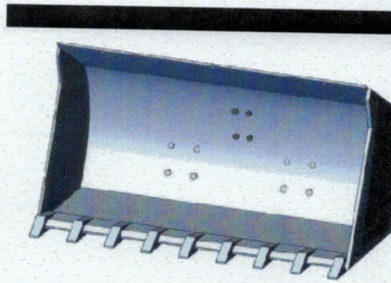
Please note that this product is not a toy and not suitable for youngsters under the age of 16. Technical details may be subject to changes and modifications. All images and designs are property of MAGOM HRC. For any doubts or questions, please contact us through [www.magomhrc.com](http://www.magomhrc.com).





# BUCKET FOR LIEBHERR 574

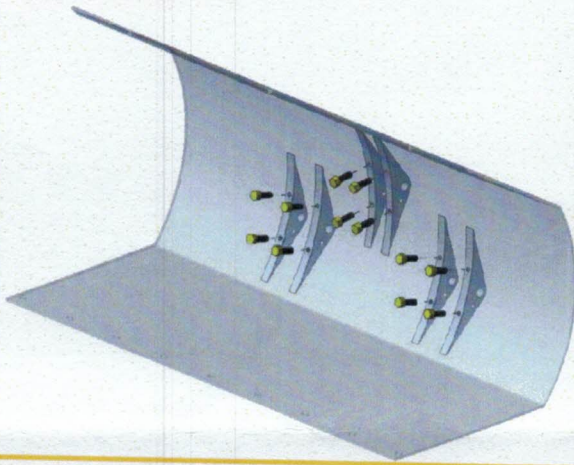
## ASSEMBLY



### STEP 1



M2x4 (x12)



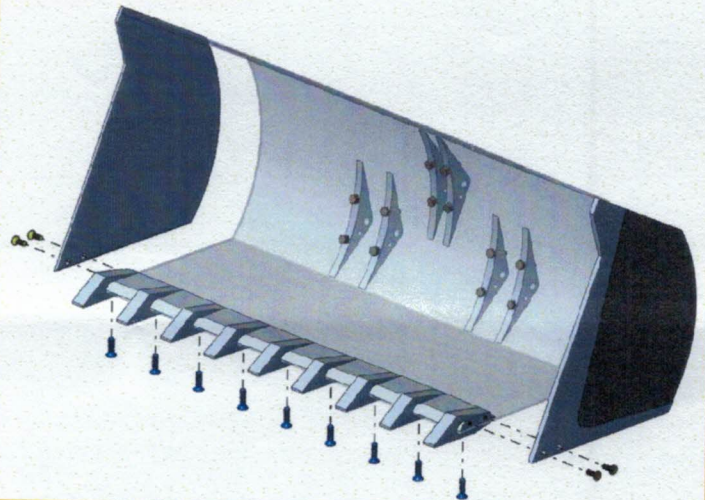
### STEP 2



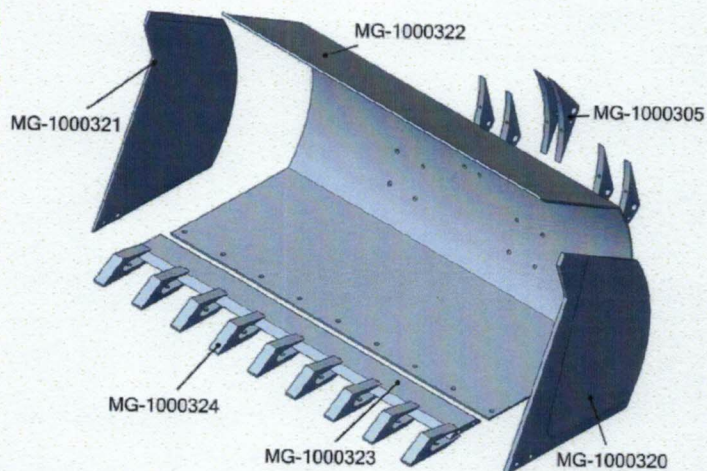
M2x4 (x4)



M2x6 (x9)

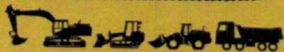


### EXPLODED VIEW



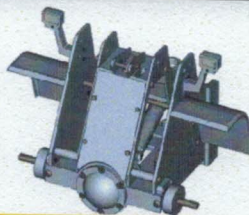
Please note that this product is not a toy and not suitable for youngsters under the age of 16. Technical details may be subject to changes and modifications. All images and designs are property of MAGOM HRC. For any doubts or questions, please contact us through [www.magomhrc.com](http://www.magomhrc.com).





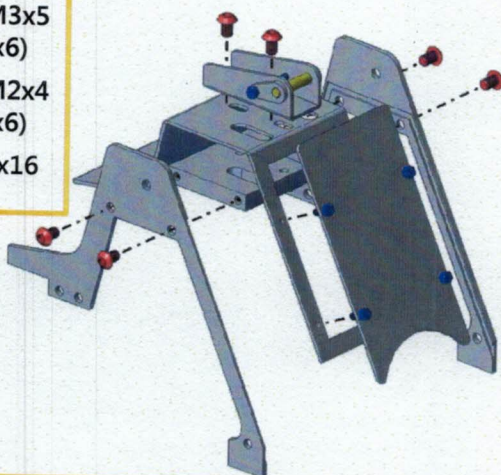
## FRONT PART FOR LIEBHERR 574

### ASSEMBLY



#### STEP 1

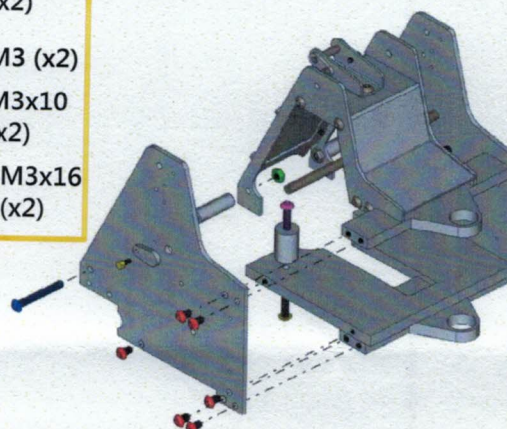
- M3x5 (x6)
- M2x4 (x6)
- 3x16



#### STEP 2

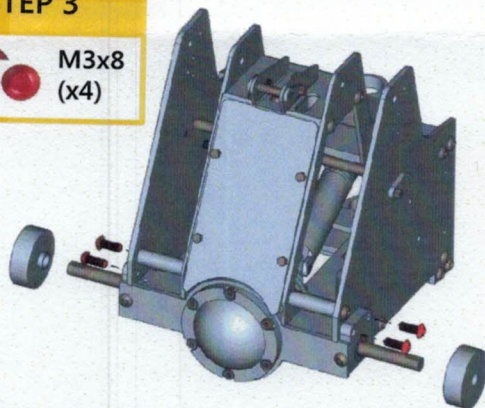
- M3x5 (x16)
- M2x4 (x2)
- M3x25 (x2)
- M3 (x2)
- M3x10 (x2)
- M3x16 (x2)

Repeat this step for both sides of the front part.

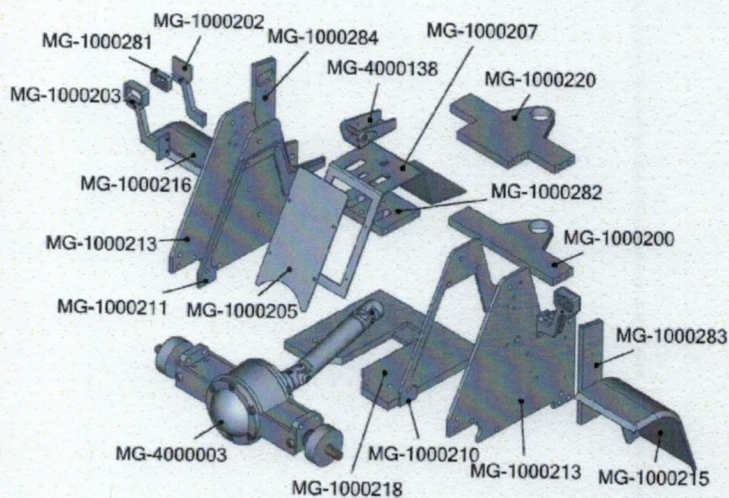


#### STEP 3

- M3x8 (x4)



#### EXPLODED VIEW

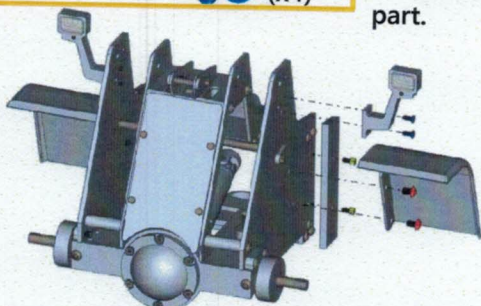


#### STEP 4

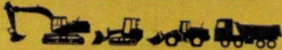
- M3x5 (x4)

- M2x4 (x4)
- M2x4 (x4)

Repeat this step for both sides of the front part.









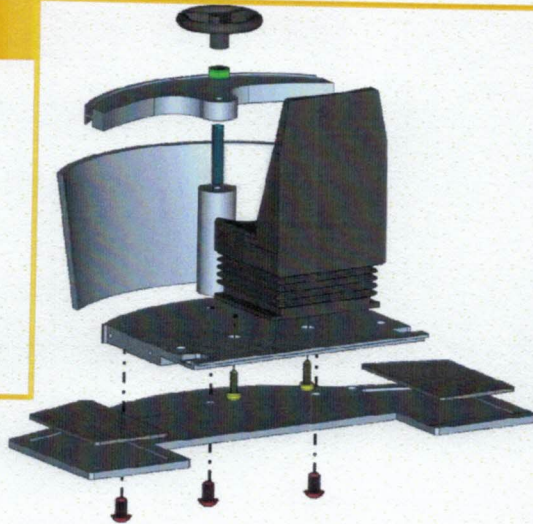


# CABIN FOR LIEBHERR 574



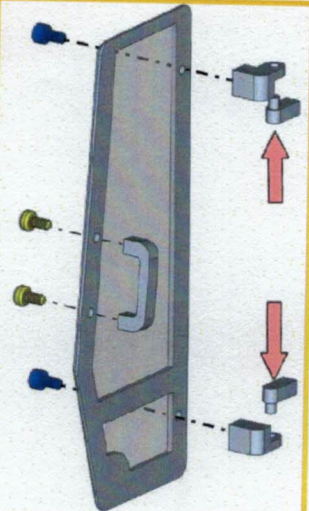
## ASSEMBLY




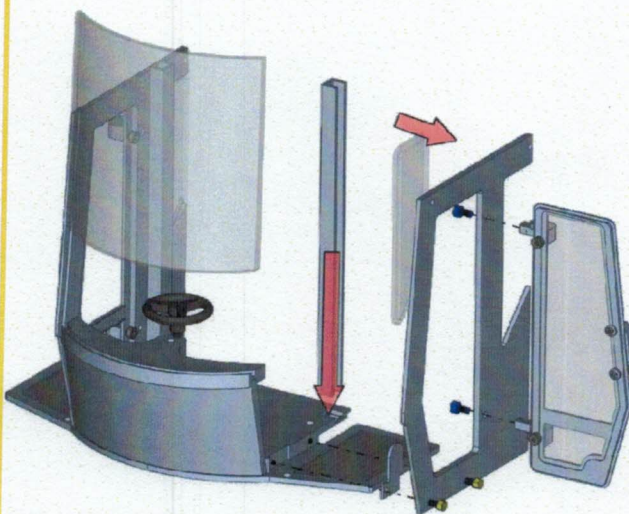
### STEP 1

 M2x6 (x2) M3x5 (x2) M3 (x1) M3x16 (x1)


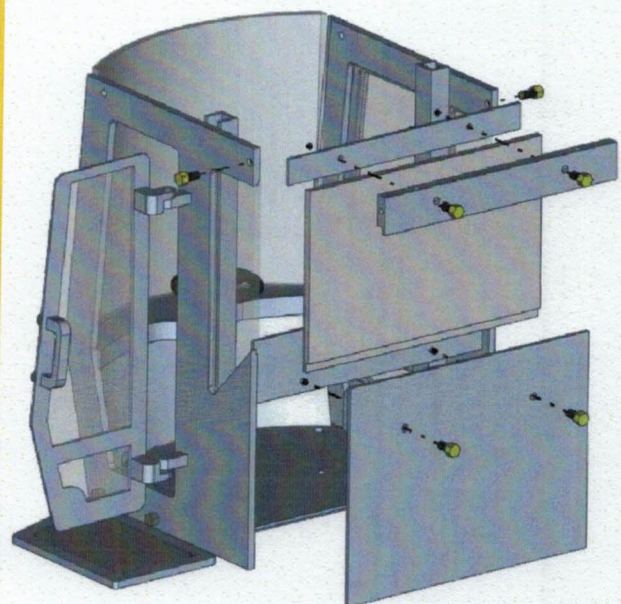
### STEP 2

 M2x4 (x4) M2x4 (x4)

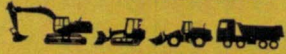
### STEP 3

 M2x6 (x4) M2x4 (x4)

### STEP 4

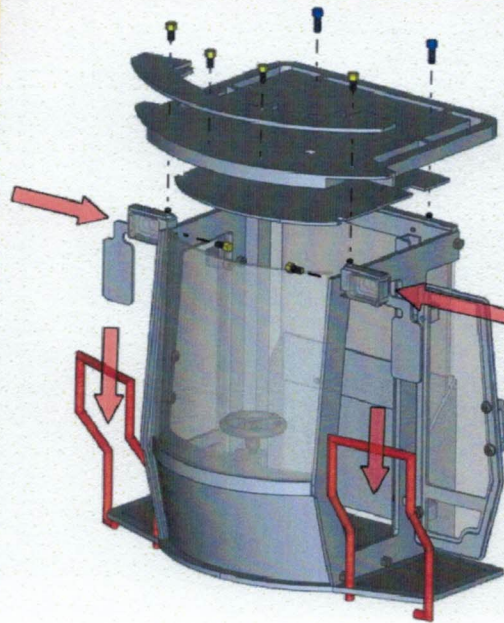
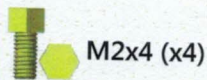
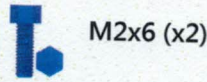
 M2x4 (x6)



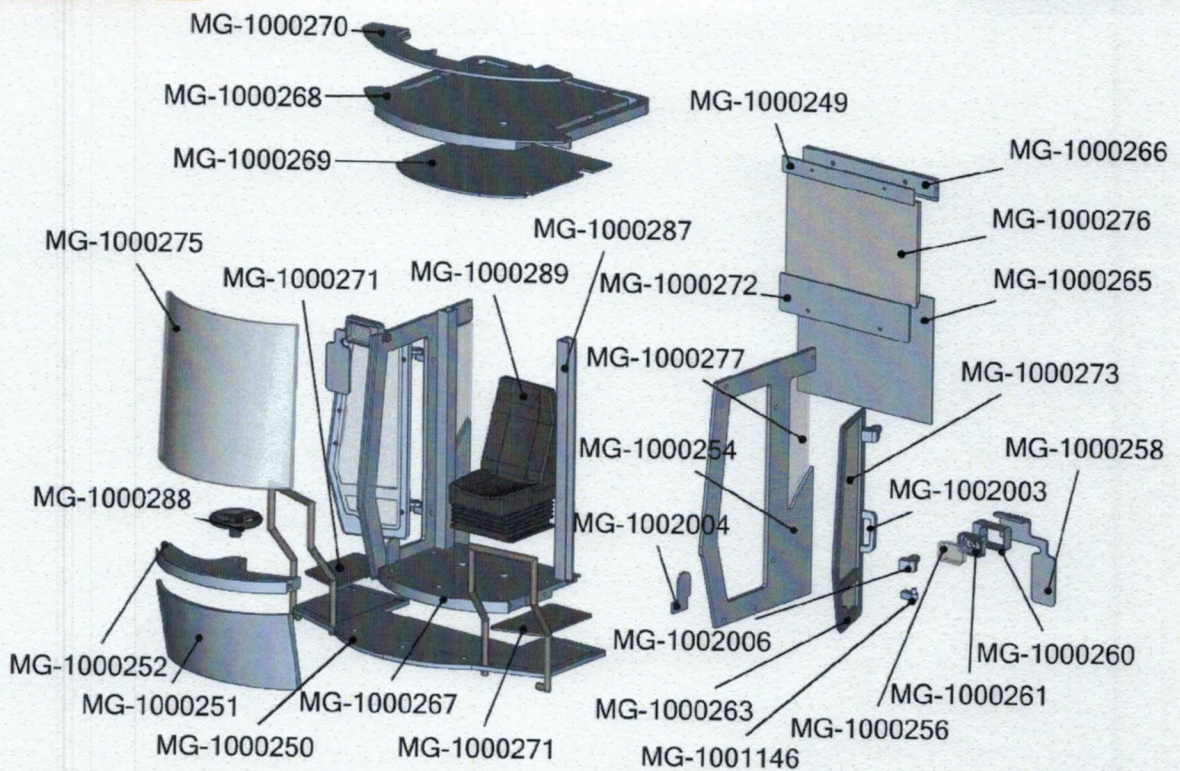


# CABIN FOR LIEBHERR 574

## STEP 5

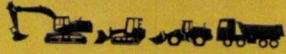


## EXPLODED VIEW



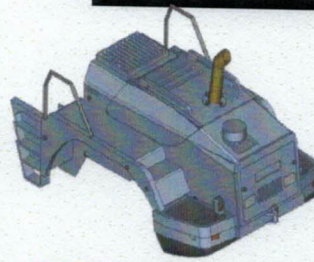
Please note that this product is not a toy and not suitable for youngsters under the age of 16. Technical details may be subject to changes and modifications. All images and designs are property of MAGOM HRC. For any doubts or questions, please contact us through [www.magomhrc.com](http://www.magomhrc.com).






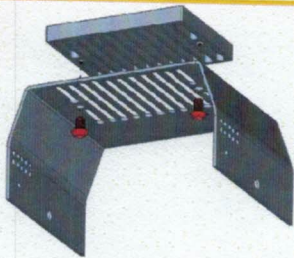
## UPPER REAR PART FOR LIEBHERR 574

### ASSEMBLY





#### STEP 1

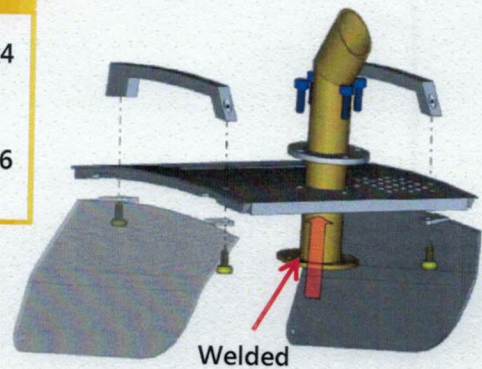
 M3x5  
(x2)




#### STEP 2

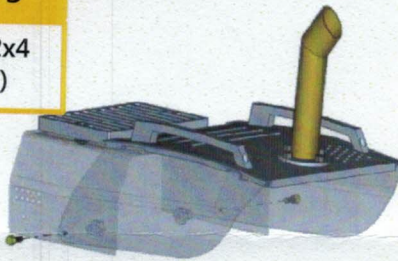
 M2x4  
(x4)

 M2x6  
(x4)




#### STEP 3

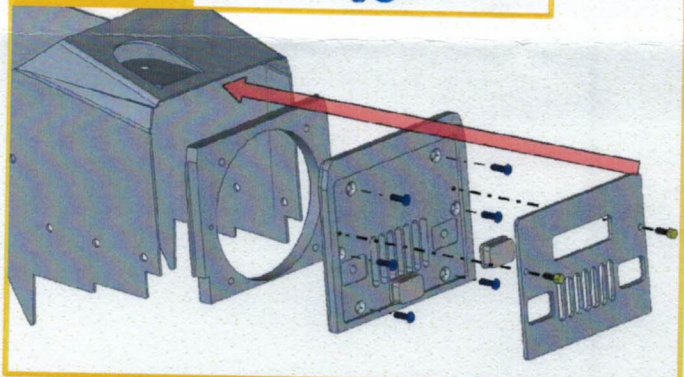
 M2x4  
(x2)




#### STEP 4


 M2x6  
(x2)

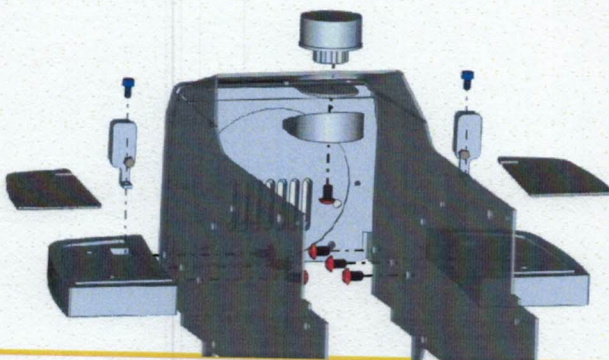
 M2x6  
(x6)




#### STEP 5


 M2x4  
(x2)

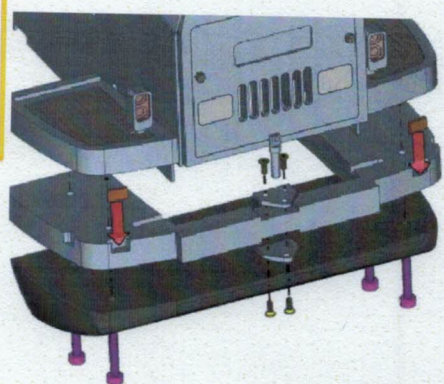
 M3x5  
(x7)



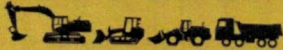
#### STEP 6

 M2x6  
(x4)

 M3x35  
(x4)



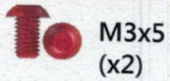




## UPPER REAR PART FOR LIEBHERR 574

### ASSEMBLY

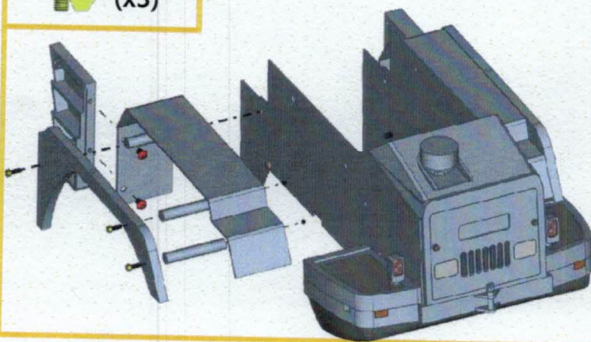
#### STEP 7



M3x5  
(x2)



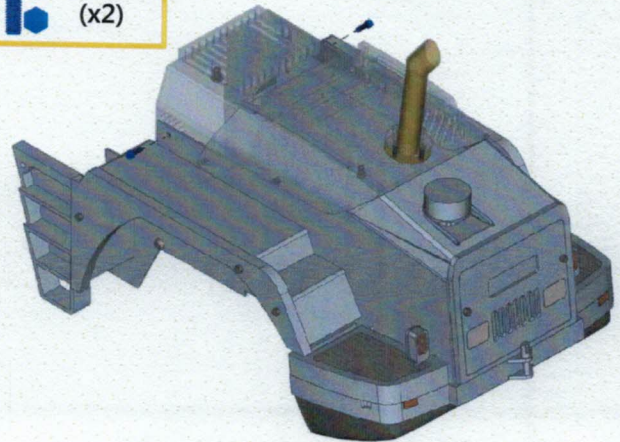
M2x6  
(x3)



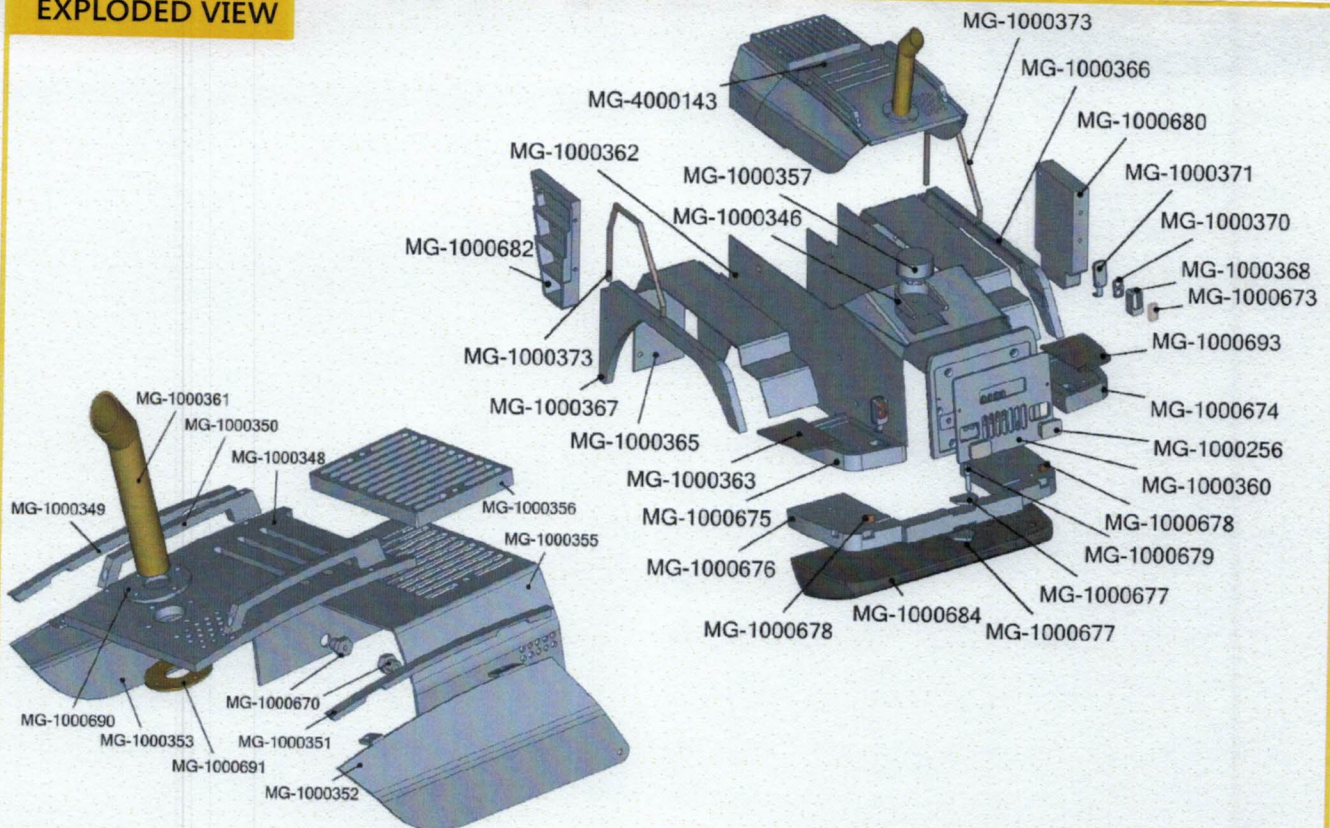
#### STEP 8



M2x6  
(x2)



### EXPLODED VIEW



Please note that this product is not a toy and not suitable for youngsters under the age of 16. Technical details may be subject to changes and modifications. All images and designs are property of MAGOM HRC. For any doubts or questions, please contact us through [www.magomhrc.com](http://www.magomhrc.com).